



© Copyright by Holland Pump Company 2011

PRIME³ Vacuum Assisted Suction Pump
Model PT4TMS - P404D22
Size 4" Trash, Materials, Sludge Pump

Holland® Pump Company
Corporate Office: 2610 Sidney Lanier Drive
Brunswick, Georgia 31525
Phone 912-466-0304
1-888-997-PUMP
www.hollandpump.com

PUMP SPECIFICATIONS

Type/Model: Solids and slurry handling/Cornell 4NNDH-EM Redi Prime

Volute: Cast iron ASTM A48 class 30

Flanges: 4" suction, 4" discharge

Impeller: 2 Vane open delta impeller 10.09" diameter fine gray iron

Solids: Handles 3" compressible, spherical solids

PRIME³ Priming System: Automatic priming system that features a 50 cfm water tolerant, diaphragm vacuum pump driven by the main drive shaft. Our major competitors use a 15 cfm compressor pump with a small compressor venturi that can easily clog. The air/water separator is a simple, reliable stainless steel float that opens and closes a rubber plunger as water rises and falls. A non return valve isolates the pump during priming and protects against back flow

Discharge Valve: Val-matic or equal

Seal: Cornell patented Cycloseal® design with Run-Dry oil lubrication system. Single mechanical seal with Viton® elastomers, stainless steel hardware and tungsten versus silicon-carbide seal faces for abrasion

Shaft Sleeve: Heat treated 416 stainless steel

Bearings: Heavy duty, grease lubricated, deep groove ball bearings, with a minimum of 50,000 hours bearing life

PT4TMS-P404D22			Shutoff Head: 111 feet		
Flow (GPM)	Speed (RPM)	TDH (ft)	Pump Efficiency (%)	Power (hp)	Max Suction Head (ft)*
746	1770	72.9	61	22.6	16.7
627**	1770	80.1	61	20.7	18.5
622	1770	80.4	61	20.6	18.6
498	1770	87.8	60	18.3	20.4
373	1770	96	56	16.1	21.9
249	1770	95.2	47	12.7	22

*Max Suction Head is suction lift plus friction losses without risk of suction cavitation
**Best Efficiency Point

ENGINE SPECIFICATIONS

Model: Perkins 404D-22, Tier 3

Type: 4 Cylinder, 4 Stroke, Naturally Aspirated, Liquid Cooled Diesel Engine

Displacement: 2.2 L (134 cu. in.)

Governor: Mechanical

Lubrication: Forced Circulation

Air Cleaner: Dry Type with Replaceable Element

Lube Oil Capacity: 2.8 U.S. gal (10.6 L)

Coolant Capacity: 1.84 U.S. gal (6.98 L)

Fuel Tank: Integral 114 U.S. Gallon Capacity (#2 Diesel Fuel)

Full Load Operating Time: 60 Hours Minimum

Starter: 12 Volt, 2 kW

Standard Features: Skid, Standard Instrument Panel: Engine Temperature and Low Oil Pressure with optional Gauge, Key Start, and Hour Meter

Optional Features: Site or DOT Highway Trailer, Automatic Remote Start/Stop, HANS (Holland Automatic Notification System), NEMA 4 Instrument Package Covering: Air Filter, Fuel Filter, Engine Temperature, Fuel Level, Engine Oil Pressure, Hour Meter, Amp Meter

Coupling: Stromag coupling

Perkins Published Performance: Power: 51 BHP(38 kW) Continuous @ 3000 RPM

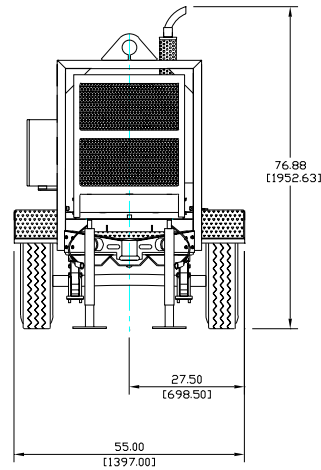
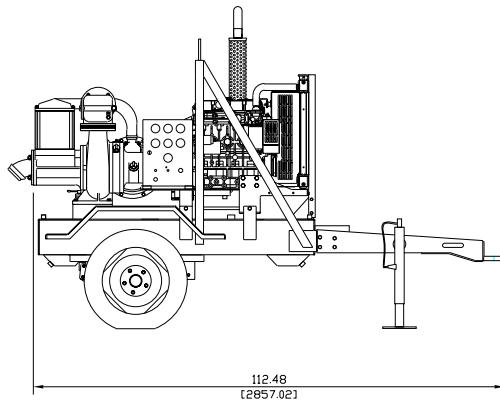


PRIME³ Vacuum Assisted Suction Pump
Model PT4TMS - P404D22
Size 4" Trash, Materials, Sludge Pump

Holland® Pump Company
 Corporate Office: 2610 Sidney Lanier Drive
 Brunswick, Georgia 31525
 Phone 912-466-0304
 1-888-997-PUMP
 www.hollandpump.com

Approximate Dimensions
 Powered by Perkins 404D-22 Diesel Engine
 Optional trailer shown

	Skid Base	DOT Trailer
Net Weight (lbs)	3110	3510
Shipping Weight (lbs)	3300	N/A
Export Crate Size (cu. ft)	130	N/A



Performance Curve Model: PT4TMS - P404D22
Size: 4" Trash, Materials, Sludge Pump

