

4" Jet Pump
Model J4 - JD4045TF280
Size 4" Jet Pump

Holland Pump Company
Corporate Office: 7312 Westport Place
West Palm Beach, FL 33413
1-800-451-0769
www.hollandpump.com

PUMP SPECIFICATIONS

Type/Model: Clear Liquids® High-Pressure Cornell 3RB-EM16
Volute: Cast iron ASTM A48, Class 30 Grey Iron
Flanges: 4" Suction , 2" Discharge
Impeller: Enclosed 6 Vane, 12.88" Bronze for Clear Liquid
Solids: .50" diameter solids
Shaft Sleeve: Heat Treated 416 Stainless Steel
Wear Rings: Replaceable Bronze SAE 660 (Double Wear Rings available)
Sealing Arrangement: Packing
Bearings: Heavy duty, grease lubricated, deep groove ball bearings, with a minimum of 50,000 hours bearing life
Priming: Manual Protec Hand Primer #9
Optional Seals: Mechanical seal - Carbon ceramic or Tungsten Carbide, also available is Cycloseal run-dry seal arrangement
Optional Features: 50 CFM Maximum **PRIME³** automatic priming system, discharge valve Val-matic or equal



J4-JD404TF280				Shutoff Head: 300 feet		
Flow (GPM)	Speed (RPM)	TDH (ft)	PSI	Pump Efficiency (%)	Power (hp)	Max Suction Head (ft)*
730**	2250	253	110	79	58.9	14.3
584	2250	278	120	77	52.9	16
438	2250	292	126	71	45.4	16
292	2250	299	129	60	36.9	16

*Max Suction Head is suction lift plus friction losses without risk of suction cavitation
 **Best Efficiency Point

ENGINE SPECIFICATIONS

Model: John Deere 4045TF280, Tier 3
Type: 4 Cylinder, 4 Stroke, Turbocharge Aspirated, Liquid Cooled Diesel Engine
Displacement: 4.5L (275 cu.in.)
Governor: Mechanical
Lubrications: Forced Circulation
Air Cleaner: Dry Type with Replaceable Element
Lube Oil Capacity: 3.5 U.S. gal (13.2L)
Coolant Capacity: 2.25 U.S. gal (8.5L)
Fuel Tank: Integral 114 U.S. Gallon Capacity (#2 Diesel Fuel)
Full Load Operating Time: 60 Hours Minimum @ 2000 PSI
Starter: 12 Volt, 2.0 kW
Standard Features: Cast Iron Engine Block, Flywheel and Flywheel Housing, EcoPlus Oil and Fuel Filters, Glow Plug Starting Aid, Integral Inlet and Manifold, Gear Driven Coolant Pump, Cast Iron Exhaust Manifold with Center Side Outlet, Standard Instrument Panel: Engine Temperature and Low Oil Pressure with optional Gauge, Key Start, and Hour Meter
Optional Features: Site or DOT Highway Trailer, Automatic Remote Start and Stop, HANS (Holland Automatic Notification System), NEMA 4 Instrument Package Covering: Air Filter, Fuel Filter, Engine Temperature, Fuel Level, Engine Oil Pressure, Hour Meter, Amp Meter
John Deere Published Performance:
 Maximum Continuous Power: 72 BHP (54kW) @ 2400 RPM
 Maximum Intermittent Power: 80 BHP (60kW) @ 2400 RPM



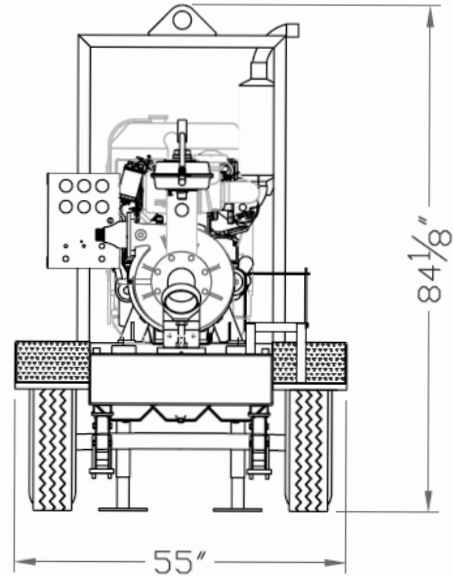
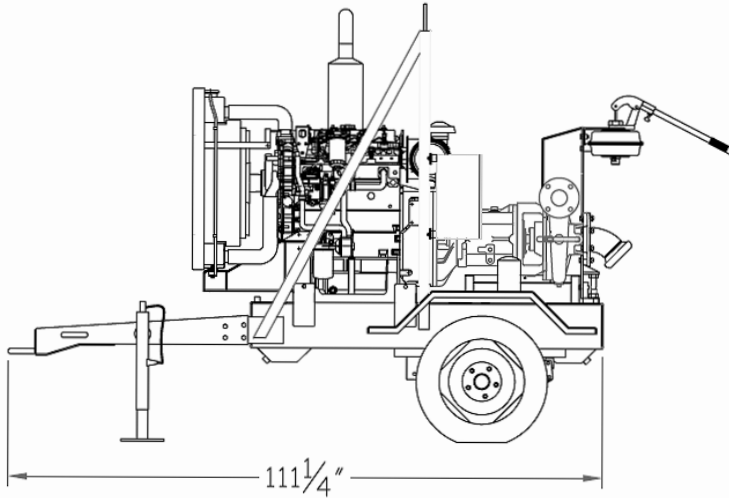
© Copyright by Holland Pump Company

Holland Pump Company
Corporate Office: 7312 Westport Place
West Palm Beach, FL 33413
1-800-451-0769
www.hollandpump.com

4" Jet Pump
Model J4 - JD4045TF280
Size 4" Jet Pump

Approximate Dimensions

Powered by John Deere 4045 TF280 Diesel Engine
Optional trailer shown
Skid Weight: 3,200 lbs.



Performance Curve Model: J4 - JD4045TF280
Size: 4" Jet Pump

