



PRIME³ Vacuum Assisted Suction Pump
Model PT4TMS - E25
Size 4" Trash, Materials, Sludge Pump

Holland Pump Company
Corporate Office: 7312 Westport Place
West Palm Beach, FL 33413
1-800-451-0769
www.hollandpump.com

PUMP SPECIFICATIONS

Type/Model: Solids and slurry handling/Cornell 4NNDH-EM Redi Prime

Volute: Cast iron ASTM A48 class 30

Flanges: 4" suction, 4" discharge

Impeller: 2 Vane open delta impeller 10.09" diameter fine gray iron

Solids: Handles 3" compressible, spherical solids

PRIME³ Priming System: Automatic priming system that features a 50 cfm water tolerant, diaphragm vacuum pump driven by the main drive shaft. Our major competitors use a 15 cfm compressor pump with a small compressor venturi that can easily clog. The air/water separator is a simple, reliable stainless steel float that opens and closes a rubber plunger as water rises and falls. A non return valve isolates the pump during priming and protects against back flow

Discharge Valve: Valmatic or equal

Seal: Cornell patented Cycloseal® design with Run-Dry oil lubrication system. Single mechanical seal with Viton® Elastomers, stainless steel hardware and tungsten versus silicon-carbide seal faces for abrasion

Shaft Sleeve: Heat treated 416 stainless steel

Bearings: Heavy duty, grease lubricated, deep groove ball bearings, with a minimum of 50,000 hours bearing life

PT4TMS-E25			Shutoff Head: 111 feet		
Flow (GPM)	Speed (RPM)	TDH (ft)	Pump Efficiency (%)	Power (hp)	Max Suction Head (ft)*
746	1770	72.9	61	22.6	16.7
627**	1770	80.1	61	20.7	18.5
622	1770	80.4	61	20.6	18.6
498	1770	87.8	60	18.3	20.4
373	1770	96	56	16.1	21.9
249	1770	95.2	47	12.7	22

*Max Suction Head is suction lift plus friction losses without risk of suction cavitation
**Best Efficiency Point

ENGINE SPECIFICATIONS

Motor: Severe duty premium efficient 25 Hp 230/460 VAC 3 phase

Control: Standard across the line Starter, soft start - optional VFD, Variable Voltage, NEMA 4X, Explosion proof



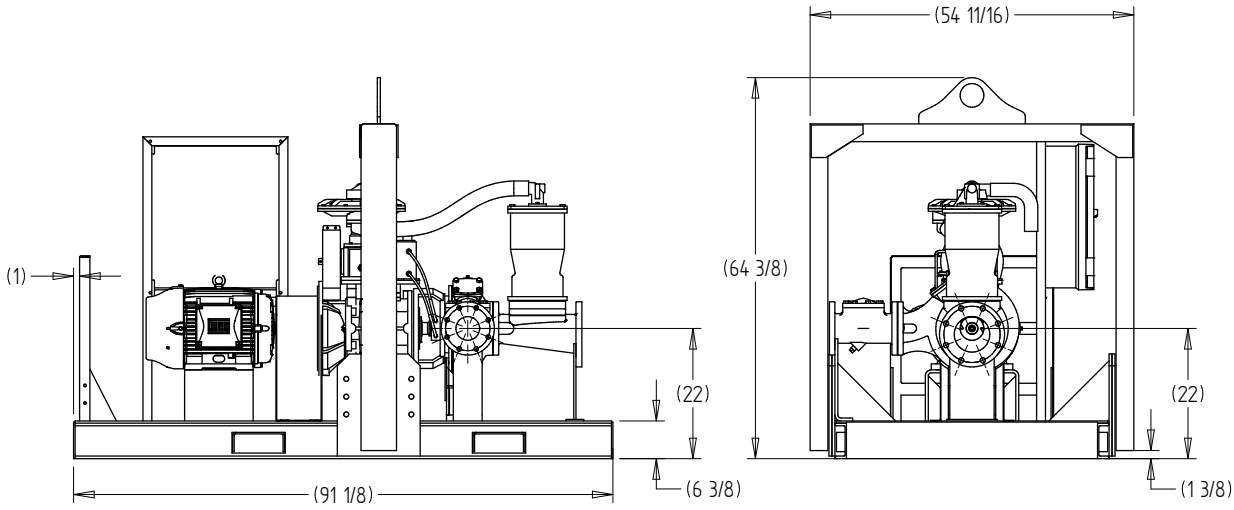
© Copyright by Holland Pump Company

Holland Pump Company
Corporate Office: 7312 Westport Place
West Palm Beach, FL 33413
1-800-451-0769
www.hollandpump.com

PRIME³ Vacuum Assisted Suction Pump
Model PT4TMS - E25
Size 4" Trash, Materials, Sludge Pump

Approximate Dimensions
Powered by 25 HP Electric Motor

	Skid Base	DOT Trailer
Net Weight (lbs)	3110	3510
Shipping Weight (lbs)	3300	N/A
Export Crate Size (cu. ft)	130	N/A



Performance Curve Model: PT4TMS - E25
Size: 4" Trash, Materials, Sludge Pump

